

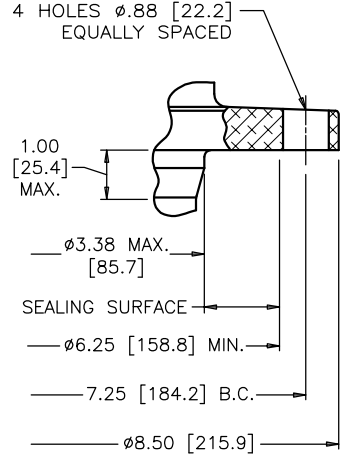
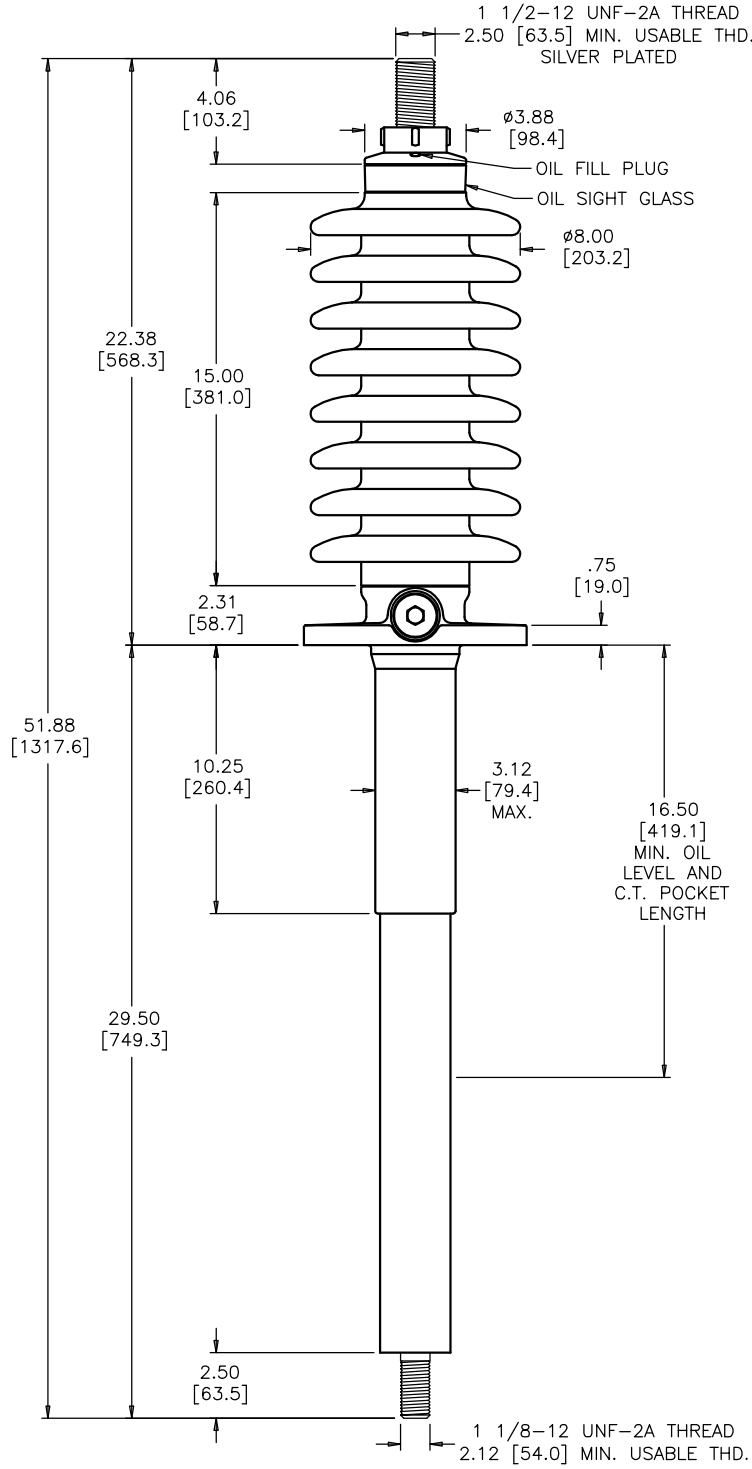


<b>KV CLASS</b> 34.5 kV	<b>BIL</b> 200 kV	<b>Uy</b> 22 kV
<b>CURRENT RATING</b>		
1200A BOTTOM CONNECTION IN 55°C RISE OIL		
<b>MIN. CREEP</b> 41.00 [1041.4]	<b>MIN. STRIKE</b> 17.00 [431.8]	
<b>CREEP/Uy</b> 1.86 [47.3]	<b>STD.</b> IEEE C57.19.00	
PCB CONTENT OF OIL IS LESS THAN 1 ppm		

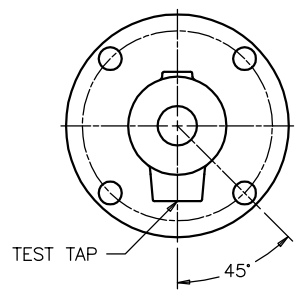
DWG.	CATALOG NUMBER	GLAZE COLOR
SD	B-89311-52	BROWN
SD	B-89311-52-70	LT. GRAY

<b>DATE</b> 7-12-94	<b>REV. DATE</b> 6-8-06
<b>MAXIMUM ALTITUDE</b> 10000 ft [3000 m]	
<b>NET WEIGHT</b> 74 lb [34 kg]	
<b>ANGLE OF INCLINATION FROM THE VERTICAL</b> 0° TO 70°	

TITLE
IEEE STANDARD BUSHING
PRC BUSHING
1 1/8-12 BOTTOM THREAD



**MOUNTING FLANGE DETAIL**



**FLANGE ALIGNMENT DIAGRAM TOP VIEW**

DIMENSIONS IN INCHES [MILLIMETERS]